

Anyway You Want it...



MPWS-36
with optional plastic food pans, angled risers, and fry pan OR



with full fry bin insert and scoop holder OR



with optional fry pans, scoop holder, and fry ribbons OR



with optional fry pans, scoop holder, plastic food pans, and angled riser OR



with optional fry ribbons, plastic food pans, fry pan, scoop holder, and angled riser

Hatco Multi-Product Warming Station safely holds hot fried foods at optimum serving temperatures in kitchen work areas. The unit is designed for maximum durability and performance, with minimum maintenance.

Available as a freestanding model in two widths, built of rugged aluminum and stainless steel.

The six overhead ceramic heating elements are adjusted by two separate electronic controls—one for the rear elements and one for the front elements. The temperature of the base heat is adjusted using a thermostatic control. The ceramic heating elements are guaranteed against burnout and breakage for one year.

OPTIONS: 4 Pleat Hardcoated Fry Box Ribbon, 5 Pleat Hardcoated Fry Bag, 6 Pleat Hardcoated Fry Bag/Box Ribbon, Angled Riser, Bag and Tong Holder, Scoop Holder, Fry Pans, Fry Pan Trivet, and Full Fry Bin Insert.

- Fry stations hold fried foods safely at optimum serving temperatures without affecting quality
- Features easy access to the food product and can be configured in multiple ways with various accessories
- Coated shatter-resistant incandescent lights enhance brilliant product display while safeguarding food from bulb breakage (standard on all MPWS models)
- Easy installation

For quality when you need it, contact Hatco at

(800) 558-0607 or (414) 671-6350 or visit www.hatcocorp.com



Nothing less than the best.™

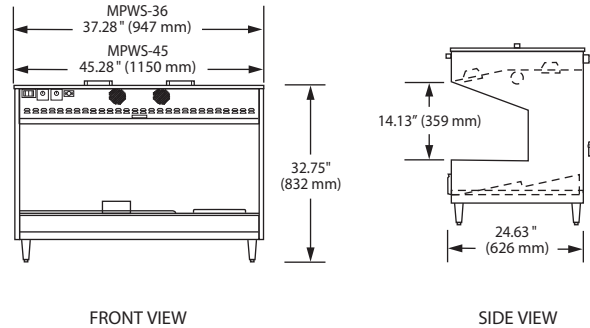


with
Endless possibilities!



MULTI-PRODUCT WARMING STATION

Models MPWS-36, -45



Model MPWS-36, -45

SPECIFICATIONS

Multi-Product Warming Station – Ceramic Elements

Model	Volts	Watts	Amps	Shipping Weight
MPWS-36	120/208	2773	14.2	175 lbs. (79 kg)
MPWS-45	120/208	2799	14.3	195 lbs. (88 kg)

■ Add 1 1/4" (32 mm) to width for each scoop holder.

Option Capacities

	Fry Pan with Trivet	Angled Risers
MPWS-36	1	3
	2	1
	0	5
MPWS-45	1	4
	2	2
	0	6

DIMENSIONS

MPWS-36: 37.28"W x 24.63"D x 32.75"H (947 x 626 x 832 mm).
MPWS-45: 45.28"W x 24.63"D x 32.75"H (1150 x 626 x 832 mm).

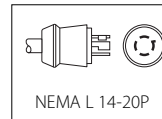
VOLTAGE

120/208 volts, single phase (uses NEMA L14-20P).

CORD LOCATION

Back side, upper left corner.

PLUG CONFIGURATIONS



OPTIONS

- 4 Pleat Hardcoated Fry Box Ribbon
- 5 Pleat Hardcoated Fry Bag Ribbon
- 6 Pleat Hardcoated Fry Bag/Box Ribbon
- Angled Riser
- Bag and Tong Holder
- Scoop Holder
- Fry Pan with Trivet
- Full Fry Bin Insert

PRODUCT SPECS

Multi-Product Warming Station

The Multi-Product Warming Station shall be a Hatco Model ... as manufactured by the Hatco Corporation, Milwaukee, WI 53234 U.S.A. With 24/7 parts and service assistance (U.S. and Canada only), the Multi-Product Warming Station shall be rated at ... watts, ... volts, and be ... inches (millimeters) in overall width. It shall consist of both a stainless steel and aluminum housing with ceramic heating elements.

Portable warmer features, shatter-resistant incandescent display lights, an on-off switch, and 6' (1829 mm) cord and plug.

Accessories may include 4 Pleat Hardcoated Fry Box Ribbon, 5 Pleat Hardcoated Fry Bag Ribbon, 6 Pleat Hardcoated Fry Bag/Box Ribbon, Angled Riser, Bag and Tong Holder, Scoop Holder, Fry Pan with Trivet, and Full Fry Bin Insert