



# Electrolux

**Modular Cooking Range Line**  
thermaline 80 - 400 mm Open base,  
GN conform, 1 Side (H2) - H=550

ITEM # \_\_\_\_\_

MODEL # \_\_\_\_\_

NAME # \_\_\_\_\_

SIS # \_\_\_\_\_

AIA # \_\_\_\_\_



Modular Cooking Range Line

thermaline 80 - 400 mm Open base, GN conform, 1 Side (H2) - H=550

**588215 (MA1BDAD000)**      Open base, one-side operated, GN - H2

### Short Form Specification

**Item No.** \_\_\_\_\_

400 mm wide open base compartment to store pots, pans, sheet pans, etc. with hygienic design and round edges. Unit constructed according to DIN 18860\_2 with 70 mm recessed plinth. Internal frame for heavy duty sturdiness in 2 mm and 3 mm in 1.4301 (AISI 304). 2 mm top in 1.4301 (AISI 304). Flat surface construction, easily cleanable. THERMODUL connection system enables seamless worktop when units are connected and avoids soil penetrating. Open storage space in the base accepts GN 1/1 containers.

IPX5 water resistant certification.

Configuration: One-side operated freestanding base, hygienic class H2.

### Main Features

- IPX5 water resistance certification.
- All major components may be easily accessed from the front.
- THERMODUL connection system creates a seamless work top when units are connected to each other thus avoiding soil penetrating vital components and facilitating the removal of units in case of replacement or service.
- Unit constructed according to DIN 18860\_2 with 70 mm recessed plinth.

### Construction

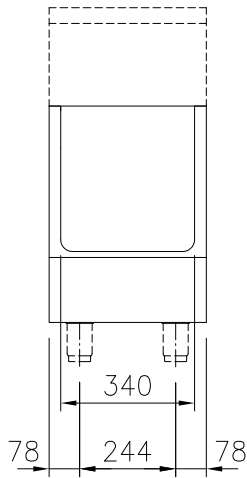
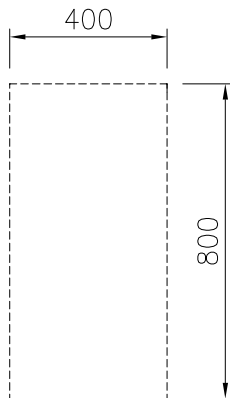
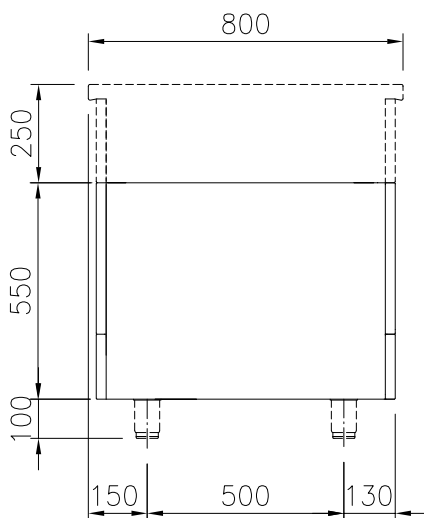
- Hygienic design of the open base compartment with large round edges.
- 2 mm top in 1.4301 (AISI 304).
- Flat surface construction with minimal hidden areas to easily clean all surfaces
- Internal frame for heavy duty sturdiness in 2 mm and 3 mm in 1.4301 (AISI 304).
- Storage space in the base of the appliance that can accept GN1/1 containers.

**APPROVAL:** \_\_\_\_\_



**Electrolux**

**Modular Cooking Range Line**  
thermaline 80 - 400 mm Open base, GN conform, 1 Side (H2) - H=550

**Front**

**Top**

**EQ = Equipotential screw**
**Side**

**Key Information:**

<b>External dimensions, Height:</b>	
588215 (MA1BDAD000)	550 mm
<b>External dimensions, Width:</b>	400 mm
<b>External dimensions, Depth:</b>	800 mm
<b>Cupboard Cavity Dimensions (width):</b>	340 mm
<b>Cupboard Cavity Dimensions (height):</b>	330 mm
<b>Cupboard Cavity Dimensions (depth):</b>	740 mm
<b>Net weight:</b>	18 kg

### Optional Accessories

- Stainless steel side panel, 800x800mm, freestanding PNC 912508
- Stainless steel front kicking strip, 400mm width PNC 912594
- Stainless steel side kicking strips left and right, freestanding, 800mm width PNC 912619
- Stainless steel side kicking strips left and right, wall mounted, 800mm width PNC 912622
- Stainless steel side kicking strips left and right, back-to-back, 1610mm width PNC 912625
- Stainless steel plinth, against wall, 400mm width PNC 912802
- Stainless steel plinth, freestanding, 400mm width PNC 912821
- Stainless steel side panel, 800x800mm, flush-fitting, freestanding PNC 913086
- Stainless steel panel, 800x800mm, against wall, left side PNC 913094
- Stainless steel panel, 800x800mm, flush-fitting, against wall, left side PNC 913096
- Stainless steel panel, 800x800mm, flush-fitting, against wall, right side PNC 913098
- Stainless steel panel, 800x800mm, flush-fitting, against wall, right side PNC 913100
- Back panel, 400x550mm, for bases and units, one-side operated PNC 913178
- Stainless steel side panel, left, h=800, flush PNC 913212
- Stainless steel side panel, right, h=800, flush PNC 913213
- Stainless steel side panel, left, h=800 PNC 913216
- Stainless steel side panel, right, h=800 PNC 913217
- Perforated shelf for warming cabinets and cupboard bases (one-side operated TL80-85-90 and two-side operated for TL80) PNC 913233
- Side reinforced panel only in combination with side shelf, for freestanding units PNC 913257
- Side reinforced panel only in combination with side shelf for against the wall installations, left PNC 913264
- Side reinforced panel only in combination with side shelf, for against the wall installations, right PNC 913266
- Side reinforced panel only in combination with side shelf, for back-to-back installations, left PNC 913273
- Side reinforced panel only in combination with side shelf, for back-to-back installation, right PNC 913274
- Shelf fixation for TL80-85-90 one-side operated, TL80 two-side operated PNC 913279